



GENERAL INFORMATION


The Ekinler Differential Pressure Transducer is a compact, high-performance device designed to accurately measure the pressure difference between two points in demanding industrial and aerospace applications. Manufactured with advanced silicon sensor technology, the transducers offers superior accuracy, long-term stability, and fast dynamic response. Its small size allows easy integration into systems with limited installation space, while maintaining reliable performance across a wide range of differential pressures and operating conditions. The transducer is available with multiple electrical connection options and output configurations to meet various application requirements.

FEATURES

Ekinler P/N	MEKNS0002700
Full Scale Pressure Range	±10 PSI
Overpressure	±30 PSI
Accuracy	±0.075%FS
Type	Differential P1(+FS to -FS rel. to P2), P2(+FS to -FS rel. to P1)
P1 Pressure Connection	Brass barbed (1/8 inch ID tubing)
P2 Pressure Connection	Brass barbed (1/8 inch ID tubing)
Mating Connector	MS3116F10-6S
Supply Voltage Range	6.0-34VDC
Temperature Range	-55 °C to 85 °C
Output	RS485 Digital
Baudrate	Adjustable (9600 – 115200 bps)
Long term stability (at ambient temperature) [mbar/5years]	±0.6

 5900 Balcones Drive, #25318
Austin TEXAS 78731, United States

 www.ekinler-usa.com

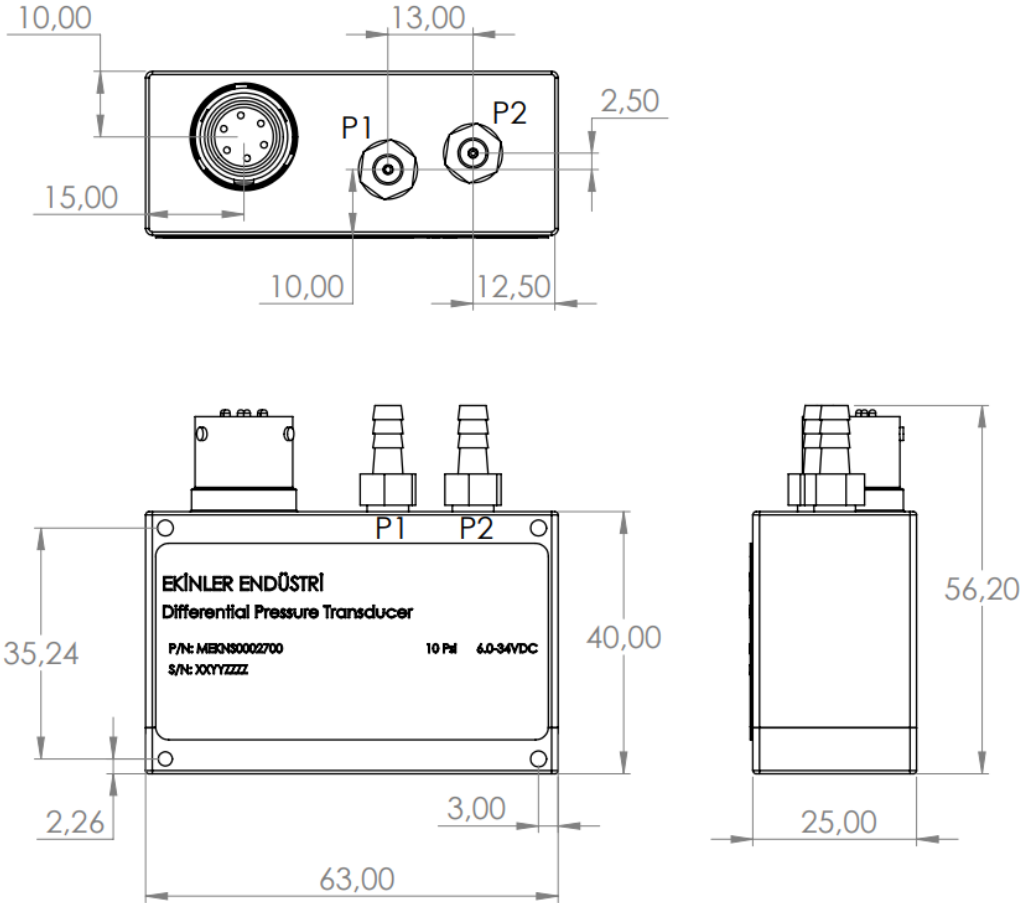
 Tel: +1 (346) 556-1573

 info@ekinler-usa.com



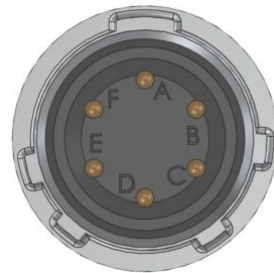
DIFFERENTIAL PRESSURE TRANSDUCER

MECHANICAL INTERFACE



ELECTRICAL INTERFACE

Pin	Name
A	RS-485 (B)
B	RS-485 (A)
C	Case Ground
D	Common Ground
E	DC Power Input
F	-



5900 Balcones Drive, #25318
Austin TEXAS 78731, United States

www.ekinler-usa.com

Tel: +1 (346) 556-1573

info@ekinler-usa.com

